

OWNER
MINNESOTA SPORTS FACILITIES AUTHORITY
900 SOUTH 5th STREET, MINNEAPOLIS, MN 55415

OWNER
MINNESOTA WIKINGS FOOTBALL, LLC
6500 VIKING DR., EDEN PRAIRIE, MN 55344

ARCHITECT / INTERIORS / BRANDING
HKS, INC.
1915 MARINNEY AVENUE, DALLAS, TX 75201

ASSOCIATE ARCHITECT - SKIN
STUDIO FIVE ARCHITECTS
322 FIRST AVE. N. SUITE 400, MINNEAPOLIS, MN 55401

MEP / TECHNOLOGY
M.E. ENGINEERS, INC.
10555 WEST 43rd AVE., WHEAT RIDGE, CO 80033

STRUCTURAL ENGINEER
THORNTON TOMASETTI
12750 MERIT DR., SUITE 750, LB-7, DALLAS, TX 75251

CIVIL ENGINEER
E.V.S. INC.
10250 VALLEY VIEW, SUITE 123, EDEN PRAIRIE, MN 55424

LANDSCAPE ARCHITECT
OSLUND AND ASSOCIATES
115 WASHINGTON AVE. N., MINNEAPOLIS, MN 55401

AUDIO VISUAL CONSULTANTS
ACOUSTIC DIMENSIONS
15508 WRIGHT BROTHERS DR., ADDISON, TX 75001

PLUMBING
H.W.H.
4801 SPRING VALLEY RD., DALLAS, TX 75244

CODE / FIRE PROTECTION
FSC, INC.
9225 INDIAN CREEK, SUITE 300, OVERLAND PARK, KS 66210

FOOD SERVICE
RICCA NEWMARK
5325 SOUTH VALENTIA, GREENWOOD VLG, CO 80111

LIGHTING CONSULTANT
PH DC
1425 DUTCH VALLEY PL., C & D, ATLANTA, GA 30324

WAYFINDING
SELBERT PERKINS DESIGN
432 CULVER BLVD., PLAYA DEL REY, CA 90293

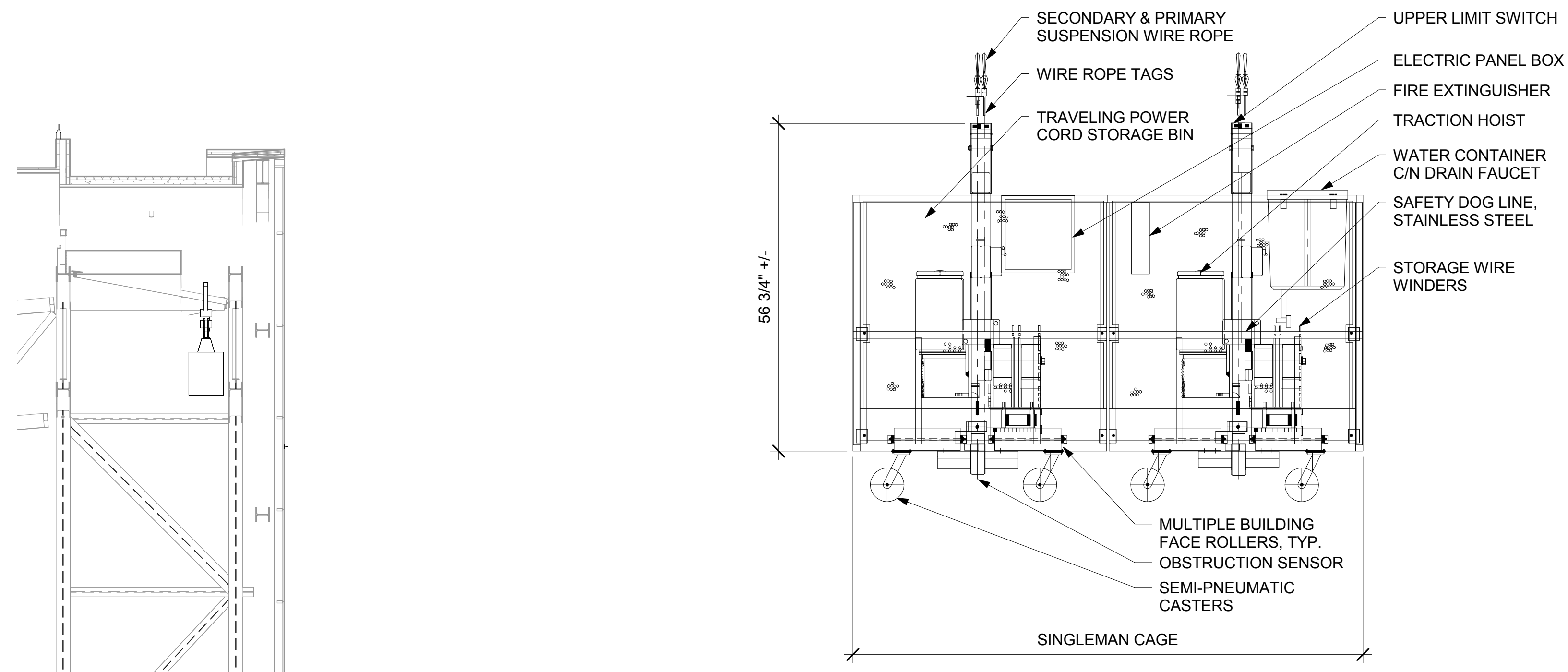
VERTICAL TRANSPORTATION
ELEVATOR ADVISORY GROUP
14530 PENNINGTON AVE., SAINT PAUL, MN 55124

ADA CONSULTANT
ED ROTHER CONSULTING, LLC
2990 MISSION BELLEVUE, LOUISBURG, KS 66063

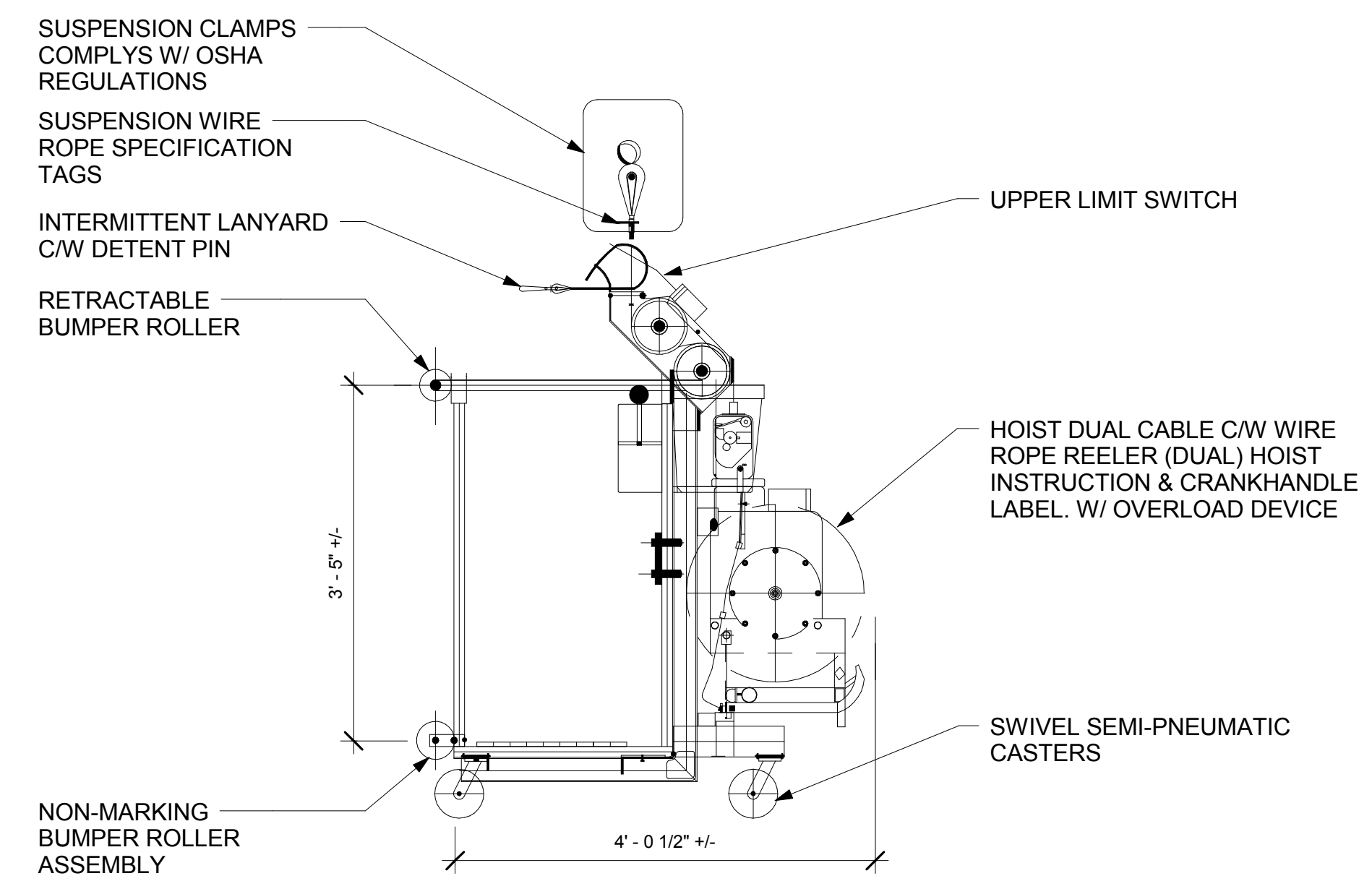
WIND / SNOW CONSULTANT
ROWAN, WILLIAMS, DAVIES, AND IRWIN, INC.
800 WOODLAWN RD. W., GUELPH, ON CANADA N1K 1B8

BUILDING ENVELOPE CONSULTANT
THORNTON TOMASETTI - BUILDING SKIN PRACTICE
300 N. WABASH AVE., SUITE 1500, CHICAGO, IL 60611

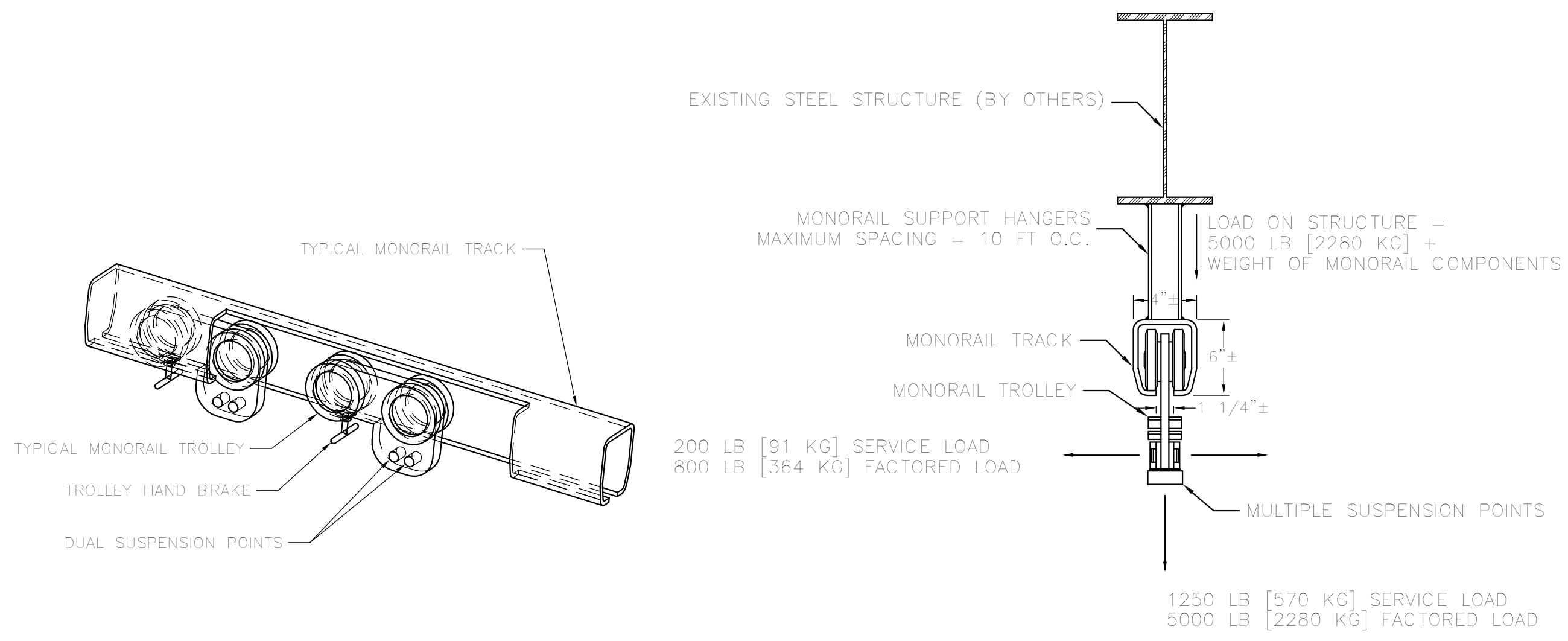
FAÇADE ACCESS CONSULTANT
LEIGH BATES, INC.
8089 LINCOLN ST., SUITE 105, LITTLETON, CO 80122



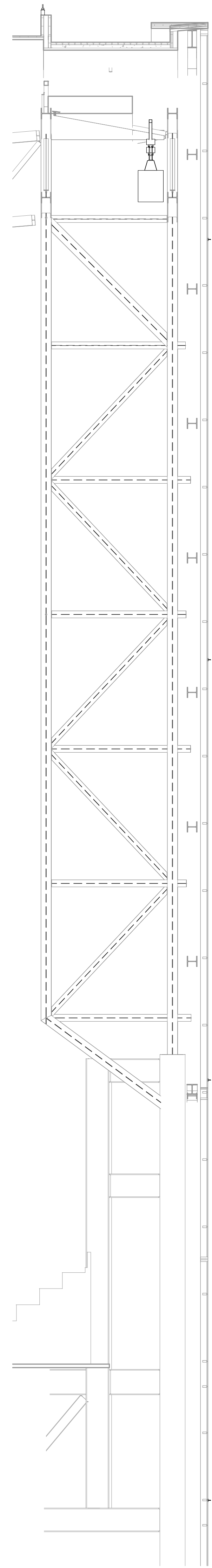
1 MONORAIL CAB FRONT ELEVATION
3/4" = 1'-0"



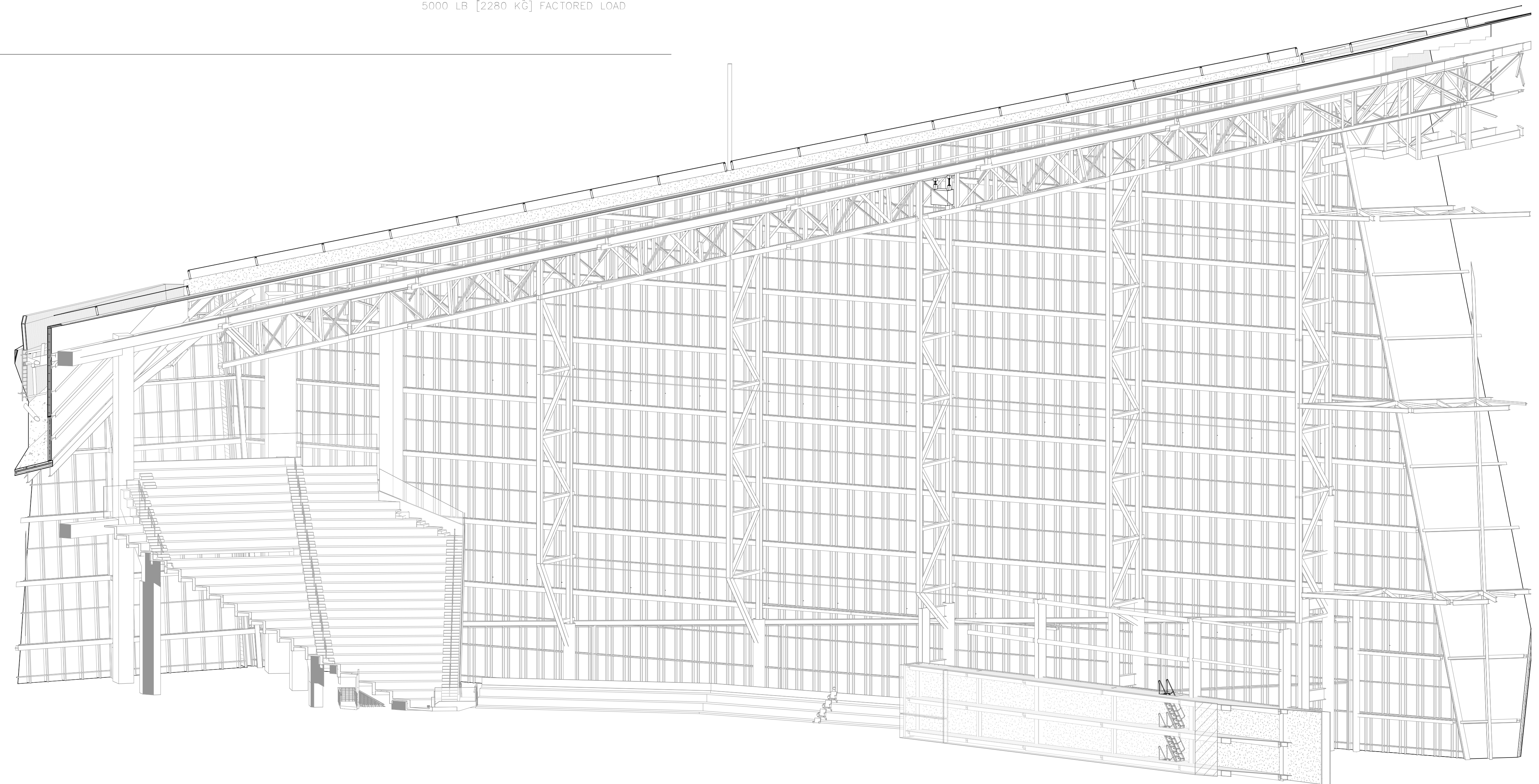
2 MONORAIL CAB SIDE ELEVATION
3/4" = 1'-0"



3 MONORAIL TRACK DETAILS
3/4" = 1'-0"



4 Detail 31
1/8" = 1'-0"



5 MONORAIL 3D SECTION

KEY PLAN

10	11	12	1
9	16	13	2
8	15	14	3
7	6	5	4

REVISION NO.	DESCRIPTION	DATE

HKS PROJECT NUMBER
16246.000

DATE
MAY 2, 2014

ISSUE
CCD-060

SHEET TITLE
MONORAIL - SECTION & 3D

SHEET NO.

FA-402